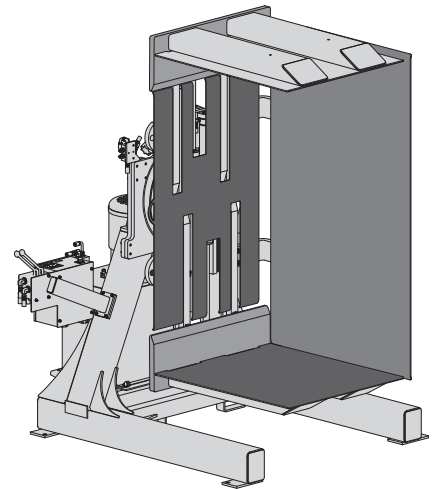


Stationary Load Inverters

- ▶ 180° rotation
- ▶ Side stabilizer included
- ▶ Clean, grease-free handling
- ▶ Self-contained power unit
- ▶ Various capacities, opening ranges and platen sizes

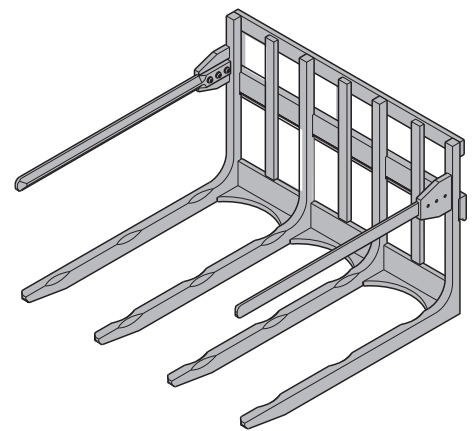


Stationary Load Inverters

Model Number	Capacity lb @ 24"	Opening Range (in)	Power Requirements (V)	Weight (lb)
LCS-50RR-I2D48	4,000	25.5–79.9	220 / 440	4,050

Keg Handlers

- ▶ Easy handling of multiple kegs



Keg Handlers: Up to 18 Full Kegs

Model Number	Capacity lb @ 24"	Mounting Class	Minimum Truck Carriage Width (in)	Lost Load AET (in)	HCG (in)	VCG (in)	Weight (lb)
KHA035A	3,500	II	36	2.0	11.2	9.45	850
KHA035B		III			11.0	10.3	865

Keg Handlers: Up to 36 Empty Kegs

KHA035DA	3,500	II	36	2.0	10.2	25.0	1415
KHA035DB		III			10.0	25.8	1430