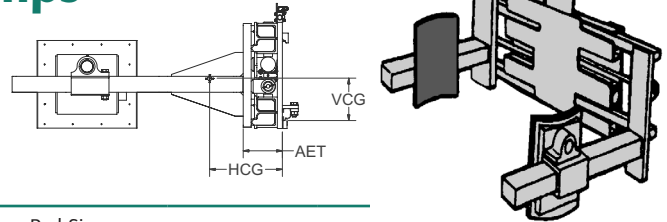


SQ-CP Series Concrete Pipe Clamps

- ▶ Powered pads and integral mounting available
- ▶ Handles pipe in vertical position
- ▶ Handles cured or green pipe



Non-Sideshifting Models, 1 Function

Model Number	Capacity lb @ LC (in)	Opening Range (in)	Pad Size W x H (in)	Class	Mounting Angle (°) ¹	Weight (lb)
SQ-3-CP	3,200 @ 30	9–50	18 x 18	III		1,900
SQ-8-CP	5,500 @ 36	18–72	20 x 24	III or IV		2,520
SQ-12-CP	6,500 @ 44	17.5–85	24 x 24	IV	0	3,850
SQ-20-CP	10,000 @ 48	33.5–92	24 x 24	Pin / Integral ¹		6,200
SQ-30-CP	12,000 @ 60	25–125	24 x 24	Pin / Integral ¹		9,150

¹ Pin/Integral mounting included in price.

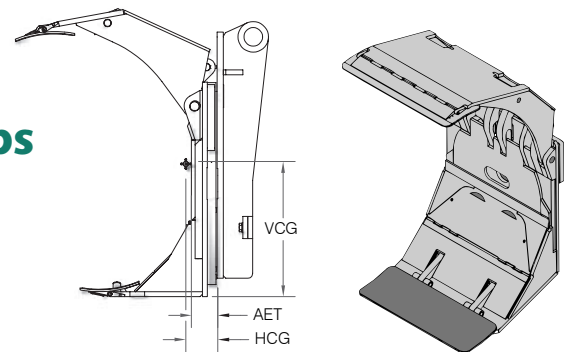
Recommended Hydraulic Supply

Model Number	Flow (gpm)	Max psi
SQ3 / SQ8	7–10	2,000
SQ12	9–15	2,000
SQ20 / SQ30	Consult Factory	2,000

Hydraulic flow less than minimum may reduce operating speed and/or cause irregular arm movement. Higher flow may result in heat build-up, erratic operation and shortened hydraulic system life.

NPR-CP Series Concrete Pipe Clamps

- ▶ Minimum lost load for best net truck capacity
- ▶ Safely lay pipe down in the bilge position
- ▶ Rubber-faced contact pads standard
- ▶ Pin / Integral mounting available



360° Rotating Models, 2 Functions

Model Number	Capacity lb @ LC (in)	Opening Range (in)	Pad Size W x H (in)	Class	Mounting Angle (°) ¹	Weight (lb)
NPRCP-652B	6,000 @ 26	10–52	10 x 30	III	0	1,990
NPRCP-760C	7,000 @ 30	10–60				3,300
NPRCP-1060C	10,000 @ 30	10–60				3,450
NPRCP-980C	9,000 @ 40	22–80				
NPRCP-1888S	18,000 @ 44	34–88	12 x 42	IV	0	4,615
NPRCP-225102S	22,500 @ 51	34–102				
NPRCP-29116S	29,000 @ 58	41–116				
NPRCP-3090	30,000 @ 45	35–90	20 x 54			
NPRCP-32102	32,000 @ 51	33–102				
NPRCP-35130	35,000 @ 65	75–130				

Consult Factory for Specifications and Price

Recommended Hydraulic Supply

Model Number	Flow (gpm)	Max psi
NPRCP-652 / 760	12	2,000
NPRCP-980 / 1060	24	2,000
NPRCP-1888 thru 35130	Consult factory	

Hydraulic flow less than minimum may reduce operating speed and/or cause irregular arm movement. Higher flow may result in heat build-up, erratic operation and shortened hydraulic system life.