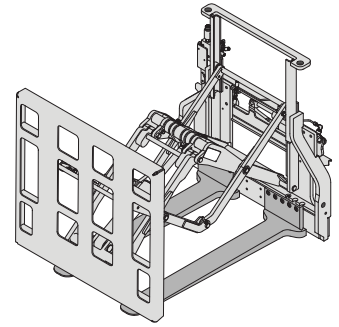
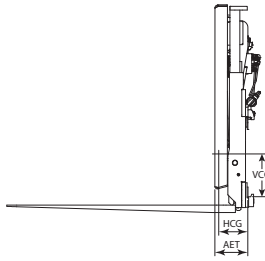


LPB 36/48 Series Load Push

- ▶ Rugged welded steel design
- ▶ Easy Class II/III mounting conversion
- ▶ Bolt-on options add flexibility
- ▶ Linkage mechanism requires no lubrication



Non-Sideshifting Load Push, 1 Function

Model Number	Capacity lb @ 24"	Platen Size, W x L (in)	Platen Out-to-Out (in)	Mounting Class	Lost Load AET (in.)	HCG (in)	VCG (in)	Weight (lb)
LPB-36NMPA548	3,600	15 x 48	34-42	II	6.7	8.6	11	1,020
LPB-36NMPA848		18 x 48	37-45			9.5	10.4	1,070
LPB-48NMPB548	4,800	15 x 48	34-42	II	6.7	8.9	10.6	1,050
LPB-48NMPB848		18 x 48	37-45			9.9	10	1,110
LPB-48NMPB548		III	15 x 48	34-42	8.9	10.6	1,070	
LPB-48NMPB848			18 x 48	37-45	9.9	10	1,130	

Sideshifting Load Push, 2 Functions

LPB-36SMPA548	3,600	15 x 48	34-42	II	6.7	8.6	11	1,030
LPB-36SMPA848		18 x 48	37-45			9.5	10.4	1,080
LPB-48SMPB548	4,800	15 x 48	34-42	II	6.7	8.9	10.6	1,060
LPB-48SMPB848		18 x 48	37-45			9.9	10	1,120
LPB-48SMPB548		III	15 x 48	34-42	8.9	10.6	1,080	
LPB-48SMPB848			18 x 48	37-45	9.9	10	1,140	



Optional Mounting Hooks

Model Number	Class	Description
All Models	II	Quick Change
All Models	III	Quick Change

For mounting other than shown, consult factory.



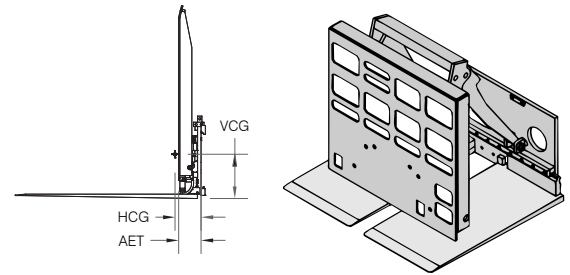
Installation Kits

Model Number	Number of Functions
YHJL-6-S-30	1
YHJL-8-S-30	
YHJL-6-D-30	2
YHJL-8-D-30	

Includes the hoses and fittings to connect a standard attachment to the hose terminal on the lift truck carriage.

LP 500/60/62/80 Series Load Push

- ▶ Designed for reliability and performance
- ▶ Constant push plate alignment
- ▶ High operator visibility
- ▶ All models include platens and rigid push plate



LP Series Load Push, Non-Sideshifting, 1 Function

Model Number	Capacity lb @ 24"	Push Stroke (in)	Platen Size, W x L (in)	Platen Out-to-Out (in)	Mounting Class	Lost Load AET (in)	HCG (in)	VCG (in)	Weight (lb)
LP50RFP7A	5,000	50	15 x 48	34	II	7.9	7.7	11.9	1,430
LP50RFP3A			18 x 48	40			8.3	11.6	1,500
LP50RFP11B	5,000	50	15 x 48	34	III	8.1	8.2	11.8	1,570
LP50RFP4B			18 x 48	40			8.9	11.5	1,655
LP60RFP19B	6,000	50	15 x 48	34	III	8.1	8.2	11.8	1,650
LP60RFP2B			18 x 48	40			8.9	11.5	1,750
LP14C	14,000	50	Consult Factory for Specifications and Price						
LP62RFP20A	5,000	62	15 x 60	34	II	7.9	9.0	13.7	2,000
LP62RFP11A			18 x 60	40			9.6	13.4	2,100
LP80RFP20B	6,000	62	15 x 60	34	III	8.1	9.2	13.8	2,050
LP80RFP11B			18 x 60	40			9.9	13.5	2,150
LP80LSRFP2B	6,000	72	15 x 70	34	III	8.1	12.0	14.6	2,425
LP80LSRFP22B			18 x 70	40			12.3	14.2	2,550

LP Series Load Push, Sideshifting, 2 Functions

Model Number	Capacity lb @ 24"	Push Stroke (in)	Platen Size, W x L (in)	Platen Out-to-Out (in)	Mounting Class	Lost Load AET (in)	HCG (in)	VCG (in)	Weight (lb)
LPS50RFP7A	5,000	50	15 x 48	34	II	7.9	7.5	11.9	1,480
LPS50RFP3A			18 x 48	40			8.1	11.7	1,550
LPS50RFP11B	5,000	50	15 x 48	34	III	8.1	8.2	11.8	1,595
LPS50RFP4B			18 x 48	40			8.8	11.4	1,680
LPS60RFP19B	6,000	50	15 x 48	34	III	8.1	8.2	11.8	1,700
LPS60RFP2B			18 x 48	40			8.9	11.5	1,800
LPS14C	14,000	50	Consult Factory for Specifications and Price						
LPS62RFP20A	5,000	62	15 x 60	34	II	7.9	9.0	13.8	2,050
LPS62RFP11A			18 x 60	40			9.6	13.5	2,150
LPS80RFP20B	6,000	62	15 x 60	34	III	8.1	9.2	13.9	2,100
LPS80RFP11B			18 x 60	40			9.9	13.6	2,200
LPS80LSRFP21B	6,000	72	15 x 70	34	III	8.1	12.0	14.6	2,475
LPS80LSRFP22B			18 x 70	40			12.3	14.2	2,600

Installation Kits

Model Number	Number of Functions
YHJL-6-S-30	1
YHJL-8-S-30	
YHJL-6-D-30	2
YHJL-8-D-30	

Includes the hoses and fittings to connect a standard attachment to the hose terminal on the lift truck carriage.

Minimum Truck Carriage Width

Model Number	Minimum Truck Carriage Width (in)
LP500 / LPS500	32 / 39
LP14 / LPS14	Consult Factory
LP62 / LPS62	32 / 39
LP80 / LPS80	37 / 39

Recommended Hydraulic Supply

Model Number	Flow (gpm)	Max psi
All Models	9-12	2,250

Hydraulic flow less than minimum may reduce operating speed and/or cause irregular arm movement. Higher flow may result in heat build-up, erratic operation and shortened hydraulic system life.